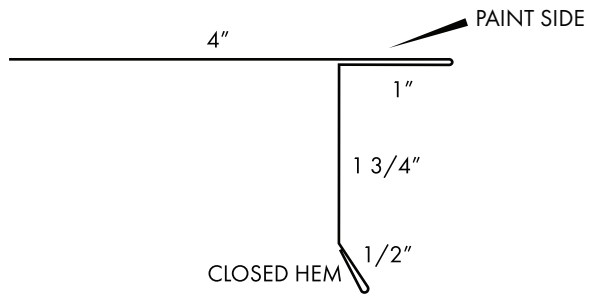
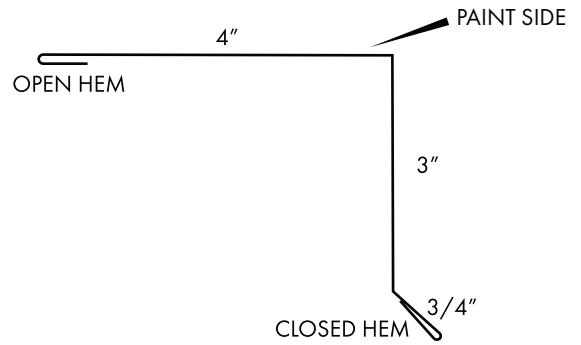


STANDING SEAM TRIM PROFILES

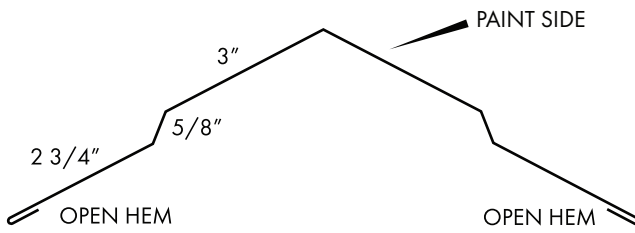
DRIP EDGE



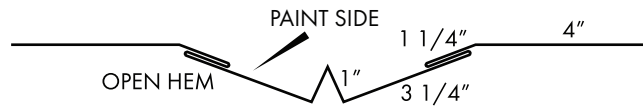
RAKE TRIM



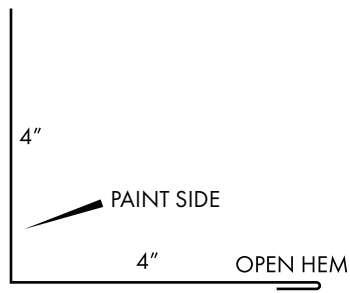
RIDGE CAP



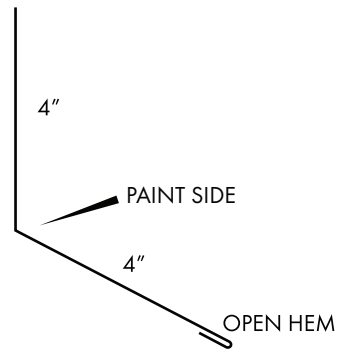
VALLEY PAN



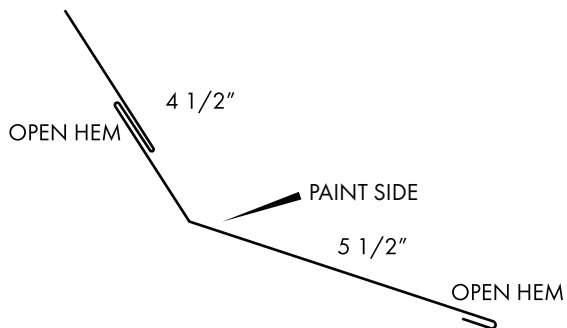
SIDEWALL



ENDWALL



LOWER GAMBREL



UPPER GAMBREL

